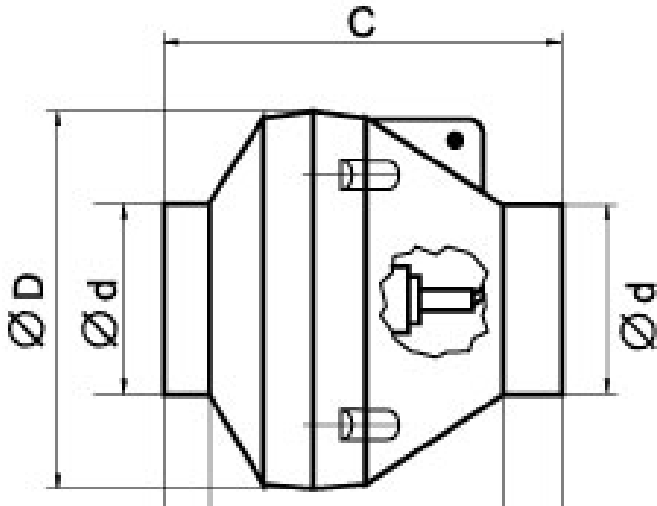


Acme Miami AFR Series *by Vents*

AFR Series Model Dimensions and Performance Specifications



Dimensions

Model	Ø d	Ø D	C	A	B
AFR 100	3-15/16"	9-15/16"	9-1/16"	1-1/16"	1-1/16"
AFR 125	4-15/16"	9-13/16"	8-11/16"	1-1/16"	1-1/4"
AFR 150	5-7/8"	11-13/16"	11-1/4"	1-3/16"	1-1/4"
AFR 200	7-13/16"	13-3/8"	10-7/8"	1-3/16"	1-3/16"
AFRS 200	7-7/8"	13-3/8"	10-7/8"	1-3/16"	1-3/16"
AFRS 250	9-13/16"	13-3/8"	10-7/8"	1-3/16"	1-3/16"
AFR 315	12-3/8"	15-3/4"	10-7/8"	1-1/16"	1-3/16"



3166456

ANSI/UL, 705, 6th Edition & CSA/C22.2 No. 113-MM1984

AFR Fan Performance

Model	RPM	Sones	Duct Dia.	Max Watts	Max Amps	CFM v Static Pressure (Ps) Ins. W.G.										Max Ps	Volts
						0"	0.125"	0.25"	0.375"	0.5"	0.75"	1.0"	1.25"	1.5"			
AFR 100	3100	6.91	4"	105	0.89	168	168	162	157	151	138	122	99	68	2.07	115	
AFR 125	2920	7.14	5"	107	0.92	217	221	214	206	195	171	145	116	83	1.92	115	
AFR 150	2950	7.16	6"	111	0.94	325	325	310	297	283	250	211	157	88	1.76	115	
AFR 200	2650	8.10	8"	111	0.93	432	402	376	333	310	250	180	110	60	1.75	115	
AFRS 200	2730	9.17	8"	260	2.16	501	485	471	453	434	394	354	312	269	2.86	115	
AFR 250	2870	10.20	10"	233	1.95	674	633	602	561	521	448	373	320	235	2.51	115	
AFR 315	2275	11.50	12.4"	231	1.94	892	845	794	750	702	605	509	405	318	2.52	115	



www.acmemiami.com

1290 NW 74 Street, Miami, Florida 33147

1-800-654-2154 Fax: 1-305-693-0045 acmemiami3@earthlink.net