

# Inline Fans

from  
**Acme Miami AM Series by Vents**  
**Mixed Flow In-Line Fans**

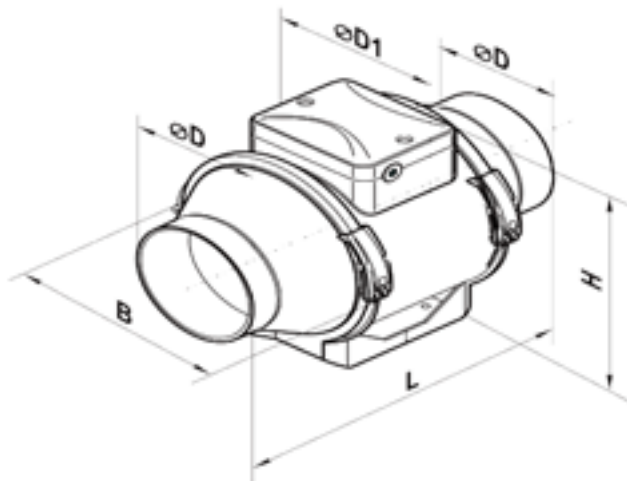
Replaces Soler & Palau TD Series

Mixed Flow fans combine the best of axial and centrifugal fans. The axial fan blade in a centrifugal housing results in excellent air volume, quiet operation and good power to overcome static pressure. All this and lower electrical consumption.

- 2 speed operating mode
- Ball Bearing external rotor motor
- Compact dimensions
- Durable ABS plastic housing
- For residential and commercial use



3166456  
 ANSIUL, 705, 6th Edition & CSA C222 No. 113-MM1984



Model	Ø D	Ø D1	B	L	H
AM 100	3-3/4"	5-1/2"	6-9/16"	9-11/16"	7-1/2"
AM 125	4-13/16"	5-1/2"	6-9/16"	9-11/16"	7-1/2"
AM 125 S	4-13/16"	7-11/16"	8-3/4"	11-5/8"	9-13/16"
AM 150	5-3/4"	7-11/16"	8-3/4"	11-5/8"	9-13/16"
AM 200	7-13/16"	8-1/4"	9-7/16"	11-5/8"	10-1/4"
AM 250	9-3/4"	10-1/8"	11-5/16"	15-1/16"	12-11/16"
AM 315	12-3/16"	12-11/16"	14-1/4"	17-1/2"	16-1/16"

Model	Speed	RPM	Sones	Duct Dia.	Max Watts	Max Amps	CFM v Static Pressure (Ps) Ins. W.G.					Volts
							0"	0.125"	0.25"	.50"	.75"	
AM 100	hi	3113	2.5	4"	36	0.45	105	49	32	-	-	110
	low	2813	1.1		29.5	0.37	62	41	23	-	-	110
AM 100 S	hi	1994	1.50	4"	30	0.25	146	120	88*	44	-	110
	low	1500	0.90		24	0.21	109	80	47*	10	-	110
AM 125	hi	2680	2.50	5"	41	0.51	126	112	46	-	-	110
	low	2350	1.40		31	0.40	87	64	4	-	-	110
AM 125 S	hi	2059	1.30	5"	37	0.31	200	171	132*	62	-	110
	low	1360	0.60		25	0.22	132	99	51*	-	-	110
AM 150	hi	2033	3.50	6"	55	0.47	252	233	199	78	-	110
	low	1386	1.50		29.2	0.25	167	129	61	21	-	110
AM 200	hi	2116	4.50	8"	111	0.93	473	450	420	352	254	110
	low	1622	2.00		69.5	0.58	349	317	276	158	32	110
AM 250	hi	2595	4.50	10"	200	1.68	880	873	862	842	816	110
	low	1925	2.5		130	1.11	655	646	620	565	480	110
AM 315	hi	2330	4.5	12.3/8"	353	2.95	1051	1020	986	914	838	110
	low	1914	2.5		236	1.95	830	797	751	638	496	110

\*.3" CFM on these items

# Inline Fans

from  
**Acme Miami AFR Series by Vents**

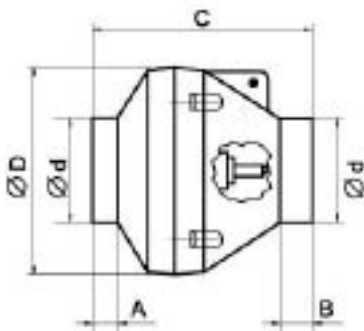
Acme Miami AFR Series replaces Fantech FR Series, Nutone ICF Series, Spruce RB Series and AirKing AIF Series

AFR Series Fans offer a superb approach for numerous air movement situations in residential and commercial applications. The housing is durable plastic. The fans can be used for multi-point exhaust applications including crawl spaces bathrooms, make-up air, booster fans, radon extraction and general ventilation.

- Ball bearing external rotor motor
- 4" - 12<sup>3</sup>/<sub>8</sub>" Duct
- Automatic thermal reset overload
- Quiet operation and compact dimensions



3166456  
ANSI/UL, 705, 6th Edition & CSA/C222 No. 113-MM1984



Model	Ø d	Ø D	C	A	B
AFR 100	3-15/16"	9-15/16"	9-1/16"	1-1/16"	1-1/16"
AFR 125	4-15/16"	9-13/16"	8-11/16"	1-1/16"	1-1/4"
AFR 150	5-7/8"	11-13/16"	11-1/4"	1-3/16"	1-1/4"
AFR 200	7-13/16"	13-3/8"	10-7/8"	1-3/16"	1-3/16"
AFR 250	9-13/16"	13-3/8"	10-7/8"	1-3/16"	1-3/16"
AFR 315	12-3/8"	15-3/4"	10-7/8"	1-1/16"	1-3/16"

Model	RPM	Sones	Duct Dia.	Max Watts	Max Amps	CFM v Static Pressure (Ps) Ins. W.G.										Volts
						0"	0.125"	0.20"	0.25"	0.375"	0.50"	0.75"	1.0"	1.25"	1.5"	
AFR 100	3088	8.50	4"	106	0.96	162	155	150	147	141	134	120	104	87	67	110
AFR 125	2960	7.10	5"	114	0.96	235	222	214	207	193	178	151	123	99	72	110
AFR 150	2907	7.20	6"	113	0.96	317	300	289	282	265	247	212	178	132	68	110
AFR 200	3016	8.10	8"	140	0.93	507	481	465	455	423	395	343	287	238	189	110
AFR 250	2604	10.20	10"	293	2.43	735	699	675	658	625	558	507	432	369	307	110
AFR 315	2641	11.50	12.3/8"	269	2.25	871	817	779	758	703	635	501	393	324	216	110

# Inline Fans

from  
**Acme Miami AFG Series by Vents**

Acme Miami AFG Series Fans replace Fantech FG Series, Continental Fan AXC Series, Spruce RC Series and Soler & Palau Power Vent Series

AFG Series Fans are excellent for numerous residential and commercial applications. The housing is powder coated steel. Fans are compact and can be mounted vertically and horizontally. Can be used for multi-point exhaust applications such as bathrooms, whole house ventilation, duct boosting, radon mitigation and general ventilation.

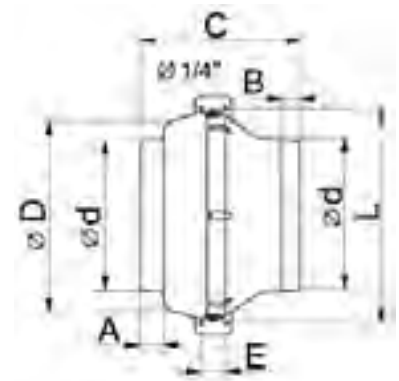
- Ball bearing external rotor motor
- 4" - 12<sup>3</sup>/<sub>8</sub>" Duct
- Airstream temp -13° F to 140° F
- Quiet operation and compact dimensions
- Speed controller compatible
- All fans include mounting brackets and hardware



3166456

ANSI/UL 705, 6th Edition & CSA/C22.2 No. 113-MM1984

Model	Ød	ØD	C	A	B	L	E
AFG 4	3-15/16"	10"	8-1/16"	1"	1"	10-3/16"	1-3/16"
AFG 5XL	4-15/16"	10"	8-1/16"	1"	1"	10-3/16"	1-3/16"
AFG 6	5-7/8"	11-15/16"	8-11/16"	1"	1"	12-3/16"	1-3/16"
AFG 8	7-7/8"	13-9/16"	9-7/16"	1"	1"	13-3/4"	1-9/16"
AFGS 8XL	7-7/8"	13-9/16"	9-7/16"	1"	1"	13-3/4"	1-9/16"
AFG 10	9-13/16"	13-9/16"	9-7/16"	1"	1-3/16"	13-3/4"	1-9/16"
AFG 12	12"	15-7/8"	11-3/4"	1-3/16"	1-9/16"	16-1/8"	1-9/16"
AFGS 12XL	12"	15-7/8"	11-3/4"	1-3/16"	1-9/16"	16-1/8"	1-9/16"



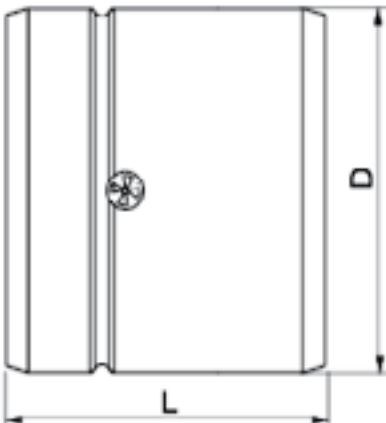
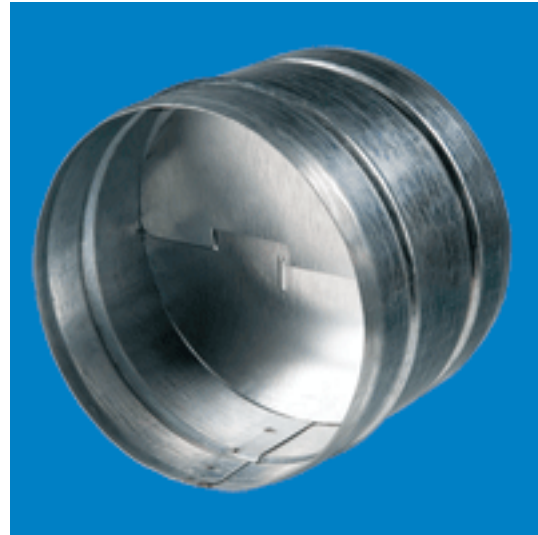
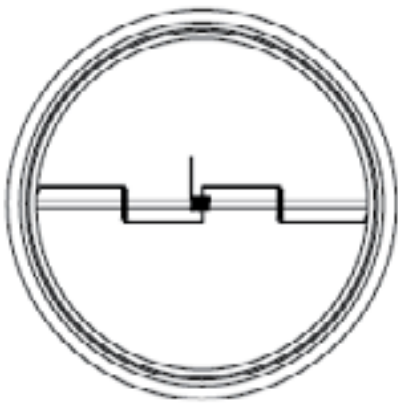
Model	RPM	Sones	Duct Dia.	Max Watts	Max Amps	CFM v Static Pressure (Ps) Ins. W.G.										Volts
						0"	0.125"	0.20"	0.25"	0.375"	0.50"	0.75"	1.0"	1.25"	1.5"	
AFG 4	3000	6.91	4"	108	0.90	174	167	162	159	151	142	124	106	84	60	110
AFG 5XL	2950	6.80	5"	112	0.97	239	228	222	217	205	192	165	130	102	72	110
AFG 6	2400	6.60	6"	110	0.90	325	292	275	265	241	214	172	139	107	67	110
AFG 8	2520	7.60	8"	195	1.63	541	502	480	464	428	391	320	265	222	183	110
AFGS 8XL	2745	8.30	8"	240	2.14	657	640	632	625	608	590	550	498	434	370	110
AFG 10	2516	8.20	10"	232	1.95	678	638	613	599	550	479	408	340	292	248	110
AFG 12	2981	8.35	12"	244	2.10	784	756	738	727	698	669	611	542	480	428	110
AFGS 12XL	2320	8.42	12"	272	2.42	985	920	890	869	818	773	680	594	512	441	110

# Back Draft Dampers

from  
**Acme Miami by Vents**

Damper opens with air flow and closes when the air flow stops. Spring loaded with positive closure and a rubber gasket.

---



Model	D	L
ABD 4	3-7/8"	3-1/16"
ABD 5	4-7/8"	3-15/16"
ABD 6	5-7/8"	4-1/2"
ABD 7	6-1/4"	4-3/4"
ABD 8	7-13/16"	5-11/16"
ABD 10	9-13/16"	6-1/2"
ABD 12	12-3/8"	7-1/2"

