

Inline Fans

from

Acme Miami AM Series by Vents Mixed Flow In-Line Fans

Replaces Soler & Palau TD Series

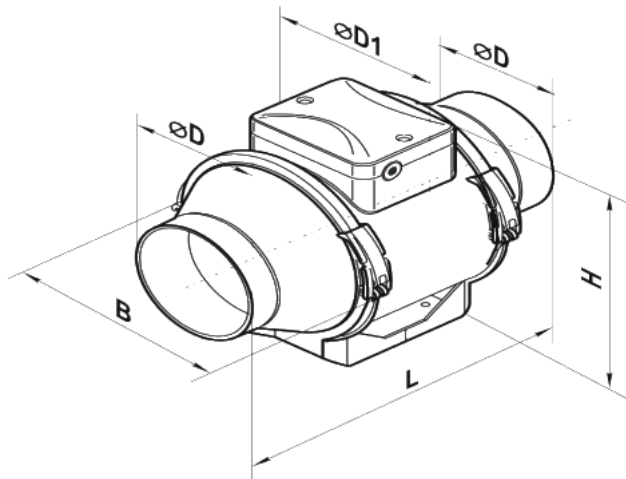
Mixed Flow fans combine the best of axial and centrifugal fans. The axial fan blade in a centrifugal housing results in excellent air volume, quiet operation and good power to overcome static pressure. All this and lower electrical consumption.

- Airflow from 73 - 512 CFM
- 2 speed operating mode
- Ball Bearing external rotor motor
- Compact dimensions
- Durable ABS plastic housing
- For residential and commercial use



3166456

ANSI/UL 705, 6th Edition & CSA/C22.2 No. 113-MM1984



Model	Ø D	Ø D1	B	L	H
AM 100	3-3/4"	5-1/2"	6-9/16"	9-11/16"	7-1/2"
AM 125	4-13/16"	5-1/2"	6-9/16"	9-11/16"	7-1/2"
AM 125 S	4-13/16"	7-11/16"	8-3/4"	11-5/8"	9-13/16"
AM 150	5-3/4"	7-11/16"	8-3/4"	11-5/8"	9-13/16"
AM 200	7-13/16"	8-1/4"	9-7/16"	11-5/8"	10-1/4"
AM 250	9-3/4"	10-1/8"	11-5/16"	15-1/16"	12-11/16"
AM 315	12-3/16"	12-11/16"	14-1/4"	17-1/2"	16-1/16"

Model	Speed	RPM	Sones	Duct Dia.	Max Watts	Max Amps	CFM v Static Pressure (Ps) Ins. W.G.				Max Ps	Volts
							0"	0.25"	0.5"	1.0"		
AM 100	hi	3230	2.42	4"	42	0.57	77	52	25	-	.76	115
	low	3080	1.11		29	0.38	69	46	18	-	.67	115
AM 125	hi	3190	2.61	5"	48	0.62	162	110	35	-	.66	115
	low	3000	1.42		34	0.42	135	78	-	-	.50	115
AM 125 S	hi	3260	3.10	5"	79	0.69	191	162	135	78	1.65	115
	low	2945	1.90		57	0.51	153	129	104	45	1.37	115
AM 150	hi	3145	4.20	6"	91	0.79	291	272	195	94	1.47	115
	low	2690	1.78		60	0.54	221	185	127	14	1.05	115
AM 200	hi	2220	4.35	8"	116	0.97	520	480	430	145	1.20	115
	low	1610	1.98		69	0.58	380	310	200	-	.78	115
AM 250	hi	2490	4.70	10"	177	0.79	828	798	739	413	-	115
	low	1955	3.0		125	0.75	656	621	491	177	-	115
AM 315	hi	2330	5.0	12.4"	365	3.05	1274	1203	1050	918	-	115
	low	1985	4.1		234	1.95	1007	859	300	385	-	115

Inline Fans

from
Acme Miami AFR Series by Vents

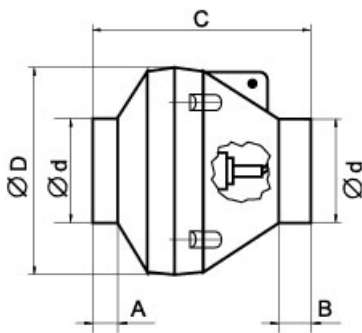
Acme Miami AFR Series replaces Fantech FR Series, Nutone ICF Series, Spruce RB Series and AirKing AIF Series

AFR Series Fans offer a superb approach for numerous air movement situations in residential and commercial applications. The housing is durable plastic. The fans can be used for multi-point exhaust applications including crawl spaces bathrooms, make-up air, booster fans, radon extraction and general ventilation.

- Ball bearing external rotor motor
- Airflow from 168 - 891 CFM
- 4" - 12³/₈" Duct
- Automatic thermal reset overload
- Quiet operation and compact dimensions



3166456
ANSI/UL, 705, 6th Edition & CSA/C22.2 No. 113-MM1984



Model	Ø d	Ø D	C	A	B
AFR 100	3-15/16"	9-15/16"	9-1/16"	1-1/16"	1-1/16"
AFR 125	4-15/16"	9-13/16"	8-11/16"	1-1/16"	1-1/4"
AFR 150	5-7/8"	11-13/16"	11-1/4"	1-3/16"	1-1/4"
AFR 200	7-13/16"	13-3/8"	10-7/8"	1-3/16"	1-3/16"
AFRS 200	7-7/8"	13-3/8"	10-7/8"	1-3/16"	1-3/16"
AFRS 250	9-13/16"	13-3/8"	10-7/8"	1-3/16"	1-3/16"
AFR 315	12-3/8"	15-3/4"	10-7/8"	1-1/16"	1-3/16"

Model	RPM	Sones	Duct Dia.	Max Watts	Max Amps	CFM v Static Pressure (Ps) Ins. W.G.										Max Ps	Volts
						0"	0.125"	0.25"	0.375"	0.5"	0.75"	1.0"	1.25"	1.5"			
AFR 100	3100	6.91	4"	105	0.89	168	168	162	157	151	138	122	99	68	2.07	115	
AFR 125	2920	7.14	5"	107	0.92	217	221	214	206	195	171	145	116	83	1.92	115	
AFR 150	2950	7.16	6"	111	0.94	325	325	310	297	283	250	211	157	88	1.76	115	
AFR 200	2650	8.10	8"	111	0.93	432	402	376	333	310	250	180	110	60	1.75	115	
AFRS 200	2730	9.17	8"	260	2.16	501	485	471	453	434	394	354	312	269	2.86	115	
AFR 250	2870	10.20	10"	233	1.95	674	633	602	561	521	448	373	320	235	2.51	115	
AFR 315	2275	11.50	12.4"	231	1.94	892	845	794	750	702	605	509	405	318	2.52	115	

Inline Fans

from
Acme Miami AFG Series by Vents

Acme Miami AFG Series Fans replace Fantech FG Series, Continental Fan AXC Series, Spruce RC Series and Soler & Palau Power Vent Series

AFG Series Fans are excellent for numerous residential and commercial applications. The housing is powder coated steel. Fans are compact and can be mounted vertically and horizontally. Can be used for multi-point exhaust applications such as bathrooms, whole house ventilation, duct boosting, radon mitigation and general ventilation.

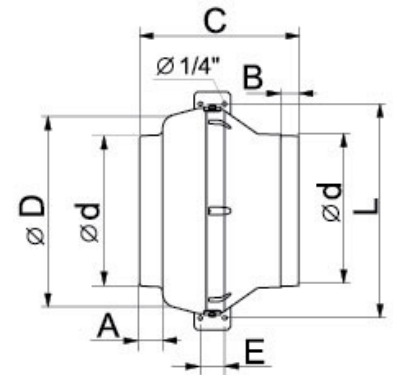
- Ball bearing external rotor motor
- Airflow from 168 - 895 CFM
- 4" - 12³/₈" Duct
- Airstream temp -13° F to 140° F
- Quiet operation and compact dimensions
- Speed controller compatible
- All fans include mounting brackets and hardware



3166456

ANSI/UL 705, 6th Edition & CSA/C22.2 No. 113-MM1984

Model	∅d	∅D	C	A	B	L	E
AFG 4	3-15/16"	10"	8-1/16"	1"	1"	10-3/16"	1-3/16"
AFG 5XL	4-15/16"	10"	8-1/16"	1"	1"	10-3/16"	1-3/16"
AFG 6	5-7/8"	11-15/16"	8-11/16"	1"	1"	12-3/16"	1-3/16"
AFG 8	7-7/8"	13-9/16"	9-7/16"	1"	1"	13-3/4"	1-9/16"
AFGS 8XL	7-7/8"	13-9/16"	9-7/16"	1"	1"	13-3/4"	1-9/16"
AFG 10	9-13/16"	13-9/16"	9-7/16"	1"	1-3/16"	13-3/4"	1-9/16"
AFG 12	12"	15-7/8"	11-3/4"	1-3/16"	1-9/16"	16-1/8"	1-9/16"
AFGS 12XL	12"	15-7/8"	11-3/4"	1-3/16"	1-9/16"	16-1/8"	1-9/16"

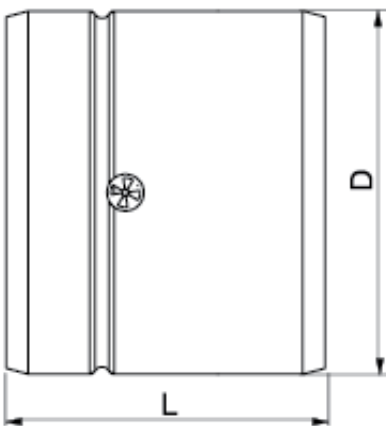
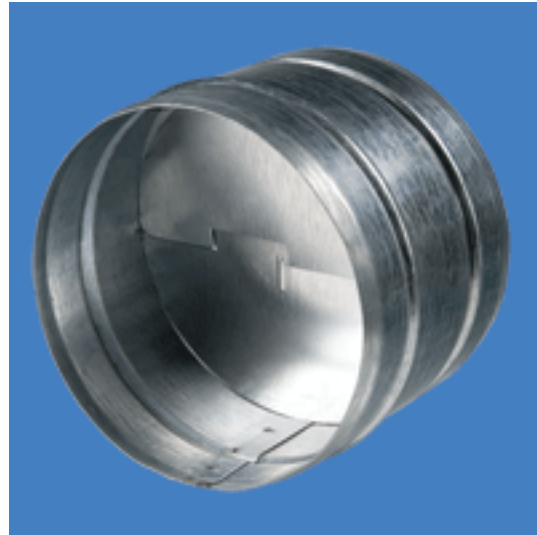
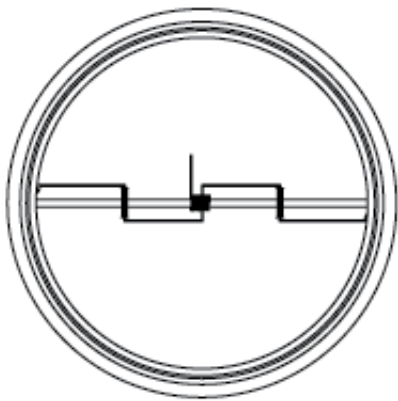


Model	RPM	Sones	Duct Dia.	Max Watts	Max Amps	CFM v Static Pressure (Ps) Ins. W.G.										Max Ps	Volts
						0"	0.125"	0.25"	0.375"	0.5"	0.75"	1.0"	1.25"	1.5"	2.5"		
AFG 4	3105	6.91	4"	104	0.90	167	158	152	145	139	125	108	85	60	-	1.93	115
AFG 5XL	2995	6.80	5"	106	0.90	232	221	212	203	192	171	148	123	85	-	1.85	115
AFG 6	2170	6.60	6"	107	0.90	292	278	259	246	233	195	155	111	65	-	1.73	115
AFG 8	2220	7.60	8"	229	1.92	572	541	520	294	470	419	360	303	258	55	3.03	115
AFGS 8XL	2745	8.30	8"	240	2.14	657	640	625	608	590	550	498	434	370	112	1.90	115
AFG 10	2500	8.20	10"	227	1.91	766	725	690	645	607	505	442	362	303	-	1.65	115
AFG 12	2610	8.35	12.4"	232	2.03	851	810	771	729	688	590	494	411	343	118	3.03	115
AFGS 12XL	2320	8.42	12.4"	272	2.42	985	920	869	818	773	680	594	512	441	220	3.61	115

Back Draft Dampers

from
Acme Miami by Vents

Damper opens with air flow and closes when the air flow stops. Spring loaded with positive closure and a rubber gasket.



Model	D	L
ABD 4	3-7/8"	3-1/16"
ABD 5	4-7/8"	3-15/16"
ABD 6	5-7/8"	4-1/2"
ABD 7	6-1/4"	4-3/4"
ABD 8	7-13/16"	5-11/16"
ABD 10	9-13/16"	6-1/2"
ABD 12	12-3/8"	7-1/2"

ACME



MIAMI

www.acmemiami.com

1290 NW 74 Street, Miami, Florida 33147

1-800-654-2154 Fax: 1-305-693-0045 acmemiami3@earthlink.net