

# Inline Fans

from  
**Acme Miami AM Series by Vents**  
**Mixed Flow In-Line Fans**

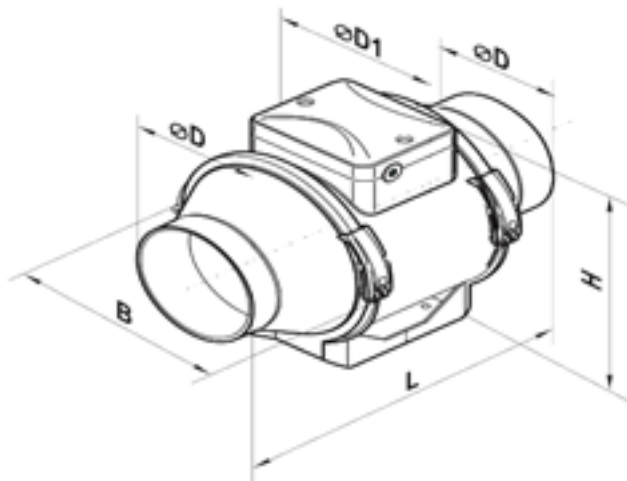
Replaces Soler & Palau TD Series

Mixed Flow fans combine the best of axial and centrifugal fans. The axial fan blade in a centrifugal housing results in excellent air volume, quiet operation and good power to overcome static pressure. All this and lower electrical consumption.

- 2 speed operating mode
- Ball Bearing external rotor motor
- Compact dimensions
- Durable ABS plastic housing
- For residential and commercial use



3166456  
 ANSIUL, 705, 6th Edition & CSA C22.2 No. 113-MM1984



Model	Ø D	Ø D1	B	L	H
AM 100	3-3/4"	5-1/2"	6-9/16"	9-11/16"	7-1/2"
AM 125	4-13/16"	5-1/2"	6-9/16"	9-11/16"	7-1/2"
AM 125 S	4-13/16"	7-11/16"	8-3/4"	11-5/8"	9-13/16"
AM 150	5-3/4"	7-11/16"	8-3/4"	11-5/8"	9-13/16"
AM 200	7-13/16"	8-1/4"	9-7/16"	11-5/8"	10-1/4"
AM 250	9-3/4"	10-1/8"	11-5/16"	15-1/16"	12-11/16"
AM 315	12-3/16"	12-11/16"	14-1/4"	17-1/2"	16-1/16"

Model	Speed	RPM	Sones	Duct Dia.	Max Watts	Max Amps	CFM v Static Pressure (Ps) Ins. W.G.					Volts
							0"	0.125"	0.25"	.50"	.75"	
AM 100	hi	3113	2.5	4"	36	0.45	105	49	32	-	-	110
	low	2813	1.1		29.5	0.37	62	41	23	-	-	110
AM 100 S	hi	1994	1.50	4"	30	0.25	146	120	88*	44	-	110
	low	1500	0.90		24	0.21	109	80	47*	10	-	110
AM 125	hi	2680	2.50	5"	41	0.51	126	112	46	-	-	110
	low	2350	1.40		31	0.40	87	64	4	-	-	110
AM 125 S	hi	2059	1.30	5"	37	0.31	200	171	132*	62	-	110
	low	1360	0.60		25	0.22	132	99	51*	-	-	110
AM 150	hi	2033	3.50	6"	55	0.47	252	233	199	78	-	110
	low	1386	1.50		29.2	0.25	167	129	61	21	-	110
AM 200	hi	2116	4.50	8"	111	0.93	473	450	420	352	254	110
	low	1622	2.00		69.5	0.58	349	317	276	158	32	110
AM 250	hi	2595	4.50	10"	200	1.68	880	873	862	842	816	110
	low	1925	2.5		130	1.11	655	646	620	565	480	110
AM 315	hi	2330	4.5	12.3/8"	353	2.95	1051	1020	986	914	838	110
	low	1914	2.5		236	1.95	830	797	751	638	496	110

\*.3" CFM on these items