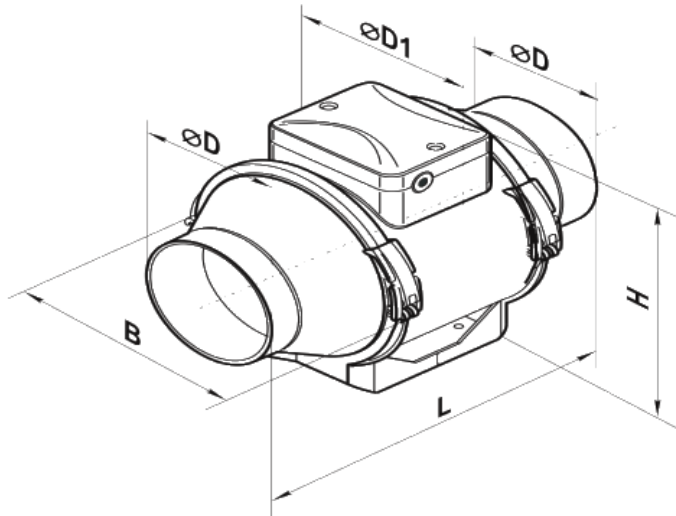


# Acme Miami AM Series by Vents Mixed Flow In-Line Fan Dimensions and Performance Specifications



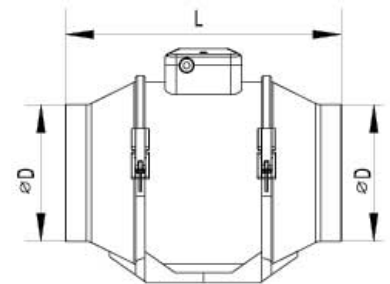
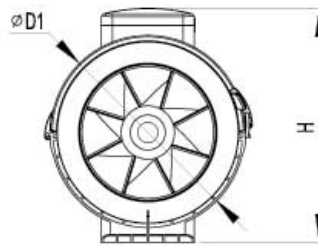
## Dimensions

Model	Ø D	Ø D1	B	L	H
AM 100	3-3/4"	5-1/2"	6-9/16"	9-11/16"	7-1/2"
AM 125	4-13/16"	5-1/2"	6-9/16"	9-11/16"	7-1/2"
AM 125 S	4-13/16"	7-11/16"	8-3/4"	11-5/8"	9-13/16"
AM 150	5-3/4"	7-11/16"	8-3/4"	11-5/8"	9-13/16"
AM 200	7-13/16"	8-1/4"	9-7/16"	11-5/8"	10-1/4"
AM 250	9-3/4"	10-1/8"	11-5/16"	15-1/16"	12-11/16"
AM 315	12-3/16"	12-11/16"	14-1/4"	17-1/2"	16-1/16"



3166456

ANSI/UL 705, 6th Edition & CSA/C22.2 No. 113-MM1984



## Mixed Flow In-Line Fan Performance

Model	Speed	RPM	Sones	Duct Dia.	Max Watts	Max Amps	CFM v Static Pressure (Ps) Ins. W.G.				Max Ps	Volts
							0"	0.25"	0.5"	1.0"		
AM 100	hi	3230	2.42	4"	42	0.57	77	52	25	-	.76	115
	low	3080	1.11		29	0.38	69	46	18	-	.67	115
AM 125	hi	3190	2.61	5"	48	0.62	162	110	35	-	.66	115
	low	3000	1.42		34	0.42	135	46	78	-	.50	115
AM 125 S	hi	3260	3.10	5"	79	0.69	191	162	135	78	1.65	115
	low	2945	1.90		57	0.51	153	129	104	45	1.37	115
AM 150	hi	3145	4.20	6"	91	0.79	291	272	195	94	1.47	115
	low	2690	1.78		60	0.54	221	185	127	14	1.05	115
AM 200	hi	2220	4.35	8"	116	0.97	520	480	430	145	1.20	115
	low	1610	1.98		69	0.58	380	310	200	-	.78	115
AM 250	hi	2490	4.70	10"	177	0.79	828	198	139	413	-	115
	low	1955	3.0		125	0.75	656	621	491	111	-	115
AM 315	hi	2330	5.0	12.4"	365	3.05	1274	545	1203	918	-	115
	low	1985	4.1		234	1.95	1007	932	859	385	-	115



www.acmemiami.com      1290 NW 74 Street, Miami, Florida 33147  
1-800-654-2154      Fax: 1-305-693-0045      acmemiami3@earthlink.net